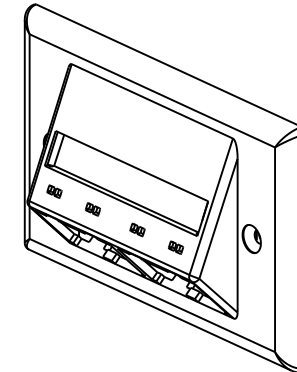
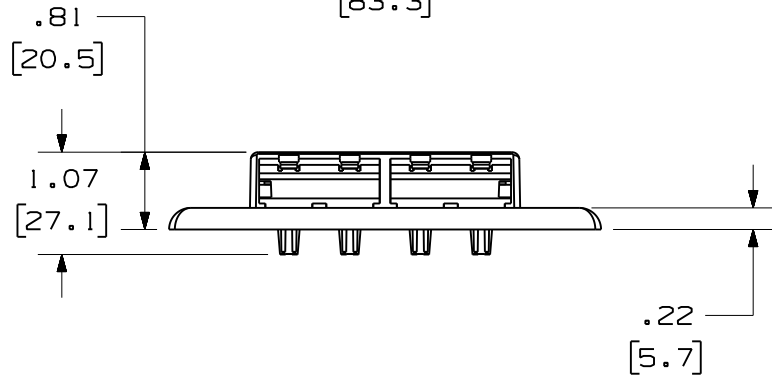
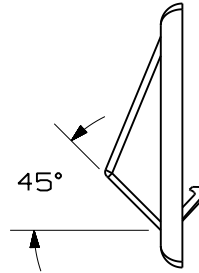
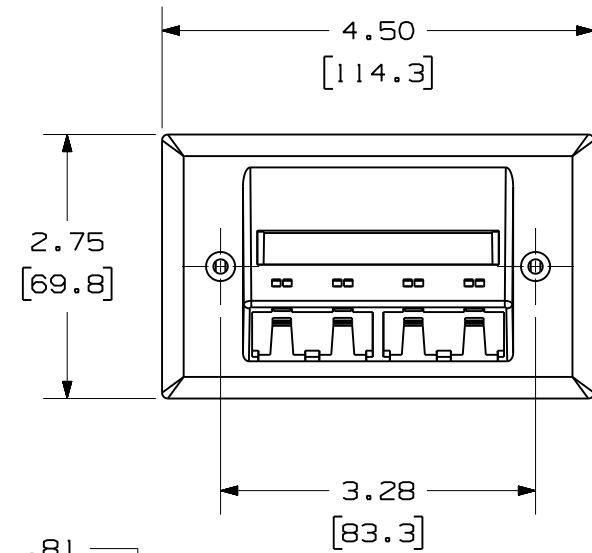


THIS COPY IS PROVIDED ON A RESTRICTED BASIS AND IS NOT TO BE USED IN ANY WAY DETRIMENTAL TO THE INTERESTS OF PANDUIT CORP.

PANDUIT P/N	WEIGHT
CFPHSL4**	.57 LB/10 PCS. (256.7 G/10 PCS.)

NOTES:

- ** 1. SEE CURRENT CATALOG FOR ADDITIONAL PART NUMBER SUFFIXES TO INDICATE COLOR AND OR PACKAGE QUANTITY.
- 2. SEE CATALOG FOR COMPLETE LIST OF PARTS APPLICABLE FOR USE WITH THIS PART.
- 3. PART INCLUDES:
1- FACEPLATE
2- MOUNTING SCREWS
1- LABEL
1- LABEL COVER
- 4. DIMENSIONS IN PARENTHESIS ARE IN METRIC.

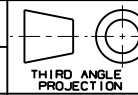


MODEL FILENAME	SIZE
DRAWING FILENAME	A
M00734BC_DC/05A	

4 POSITION MINI-COM HORIZONTAL SLOPED
FACEPLATE W/LABEL COVERS
CUSTOMER DRAWING

PANDUIT[®]
TINLEY PARK, IL 60487

I.I. NUMBER	
PRODUCT SPEC/ PKG SPEC	
ASSY METHOD/ TEST METHOD	
SCALE	NONE
PART NO.	CFPHSL4**
DRAWING NO.	00734-11



ALL DIMENSIONS ARE GIVEN IN INCHES,
UNLESS OTHERWISE SPECIFIED,
DIMENSIONAL TOLERANCES ARE:
(.X) ± (.XXX) ±.010(1.3)
(.XX) ±.03(1.8) ANGLES ±

REV	DATE	BY	CHK	DESCRIPTION	ECN	R	CUST	SUP	OTH
I	5-9-11	BJN	JSP	A. UPDATED MODEL TO REV 05 MADE VIEWS HORIZONTAL	00734-11		JSP		
R	10-5-99	JsP	MECA	RELEASED TO PRODUCTION	00734-11				

DRAWN BY	REVIEW DRAWING NUMBERS
JsP	
DATE	MAT'L
10-5-99	ABS
CHK'D	
MECA	